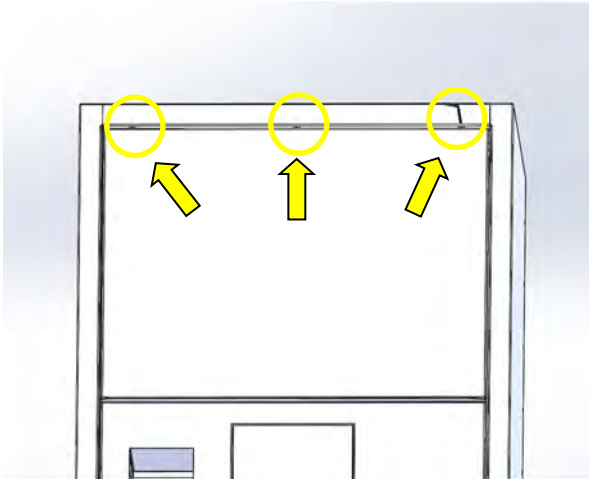
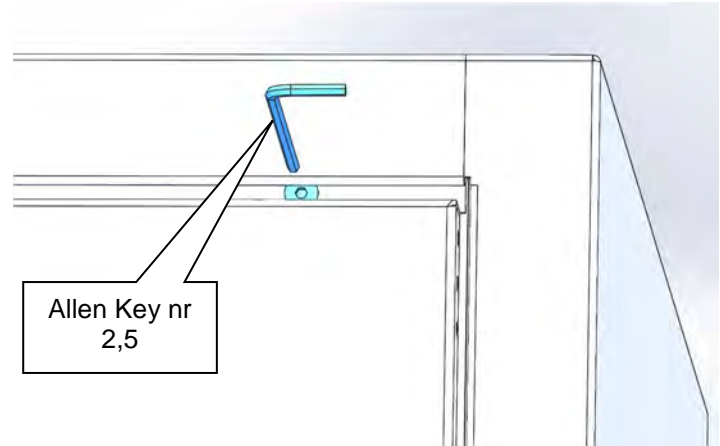


1.1 – Remove the roof

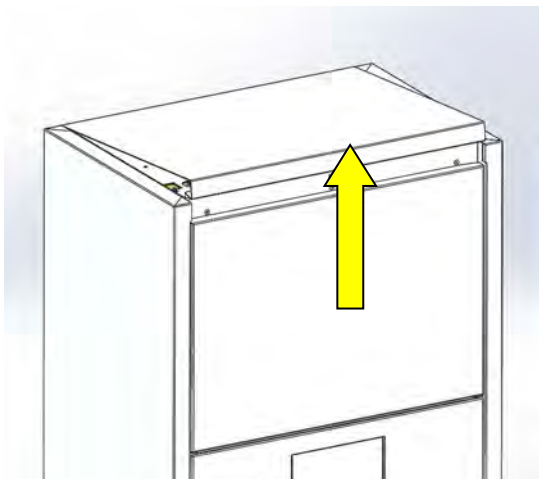


Use ball allen key nr 2,5 to unscrew 3 screws placed between roof and top door.

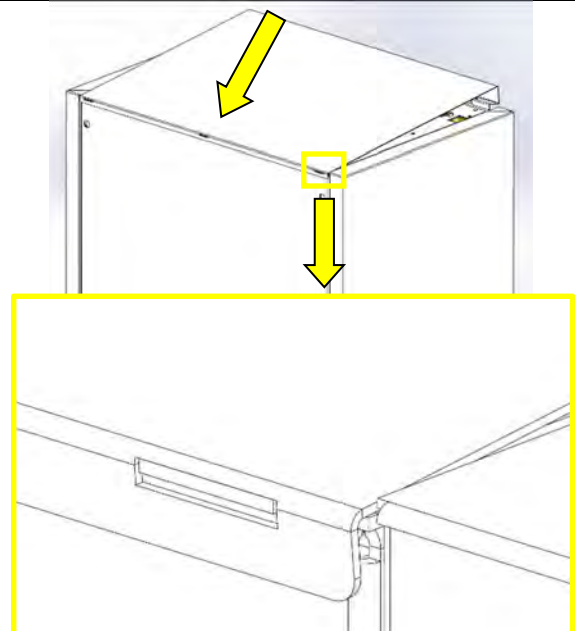


Position of the screw is shown above.

1.2 - Remove the roof

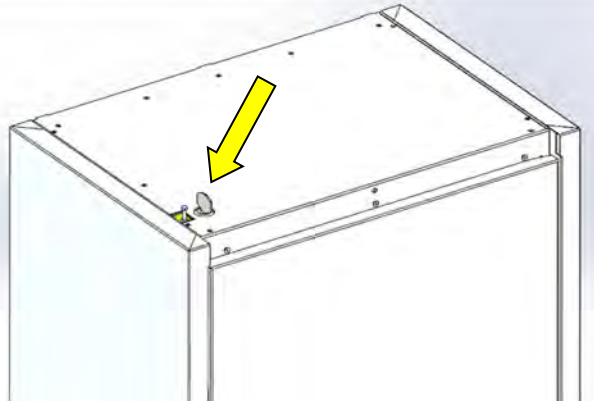


Carefully push roof up.

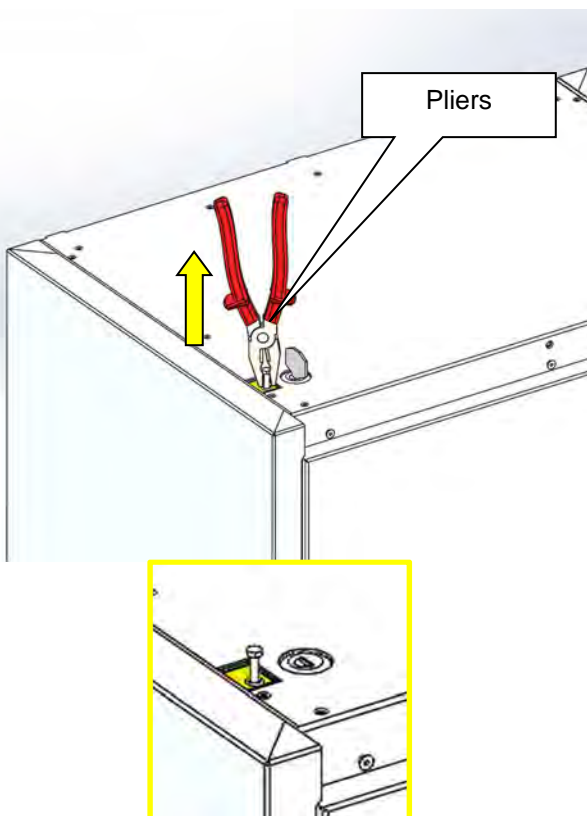


At the back there are hooks. To disassembly roof
You need to carefully push Roof to the back.

2 – Unlock service opening system

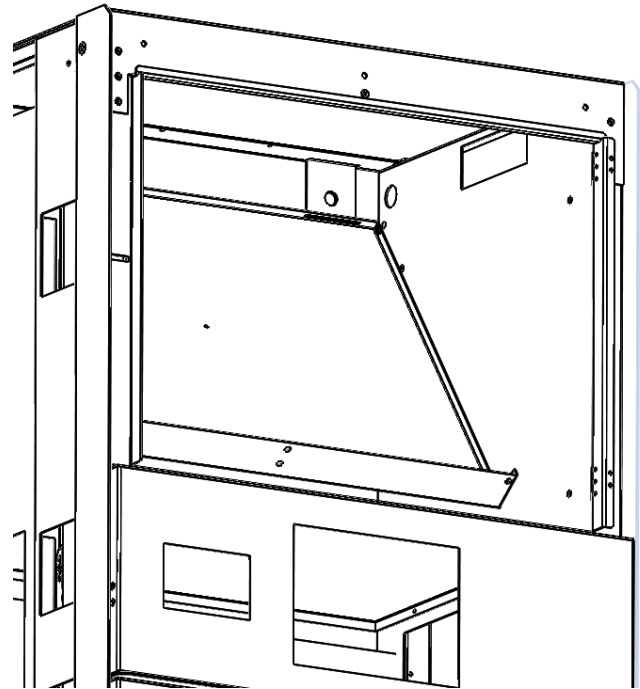
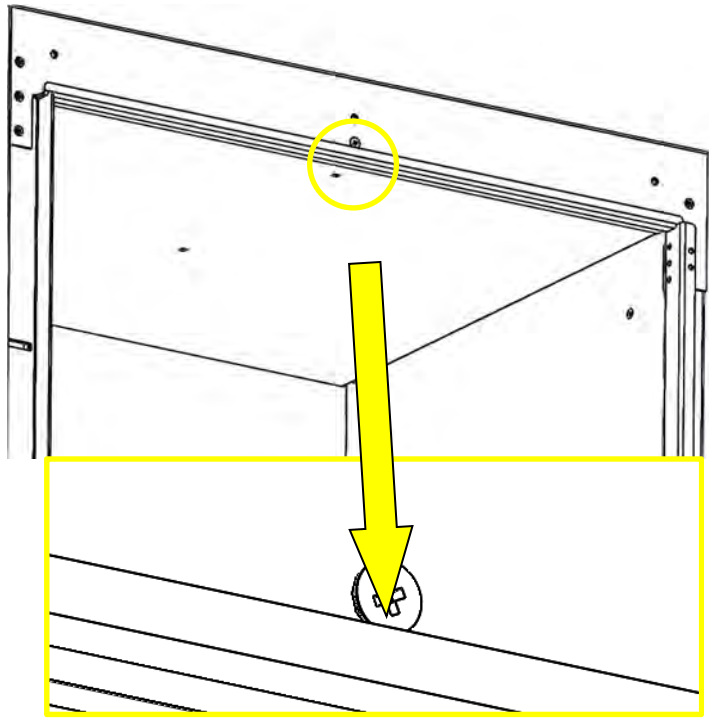


Use keys, attached to box, to unlock service opening system. There are two keys for each box.



Screw the M4 screw into the rivet nut (shown in yellow bracket). Use pliers to pull out the end of the system. Once it is done, all doors in this module should open. If not – repeat.

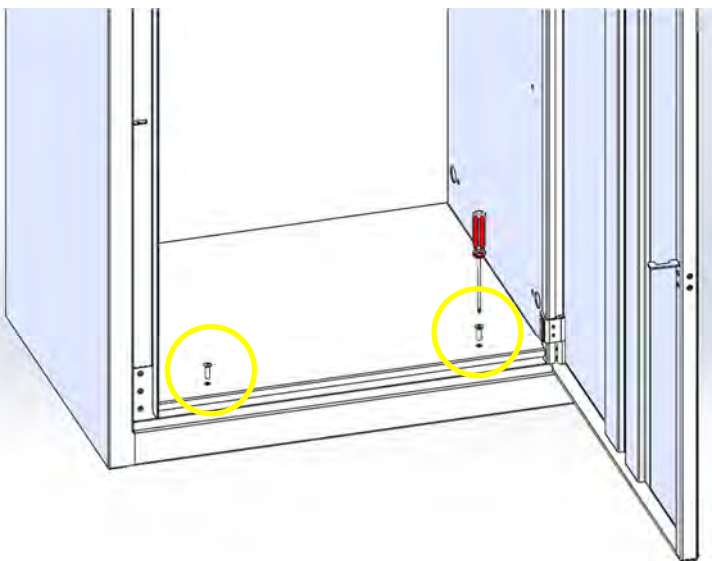
3 – Remove the cable canal



Use cross screwdriver to unscrew M4 screw which holds cable canal. Secure cable canal with hand, to avoid falling down of it.

Carefully put down cable canal.

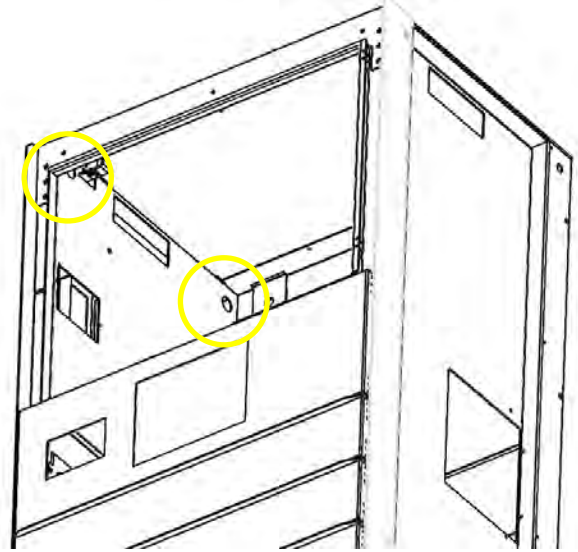
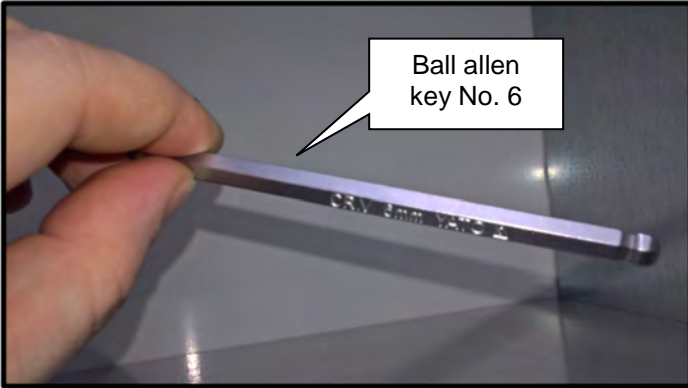
4 – Remove the bottom



Use cross screwdriver to unscrew M4 screws which holds bottom.

Use hooks to pull up the bottom and pick it out.

5 – Remove the side



Take ball allen key number 6.

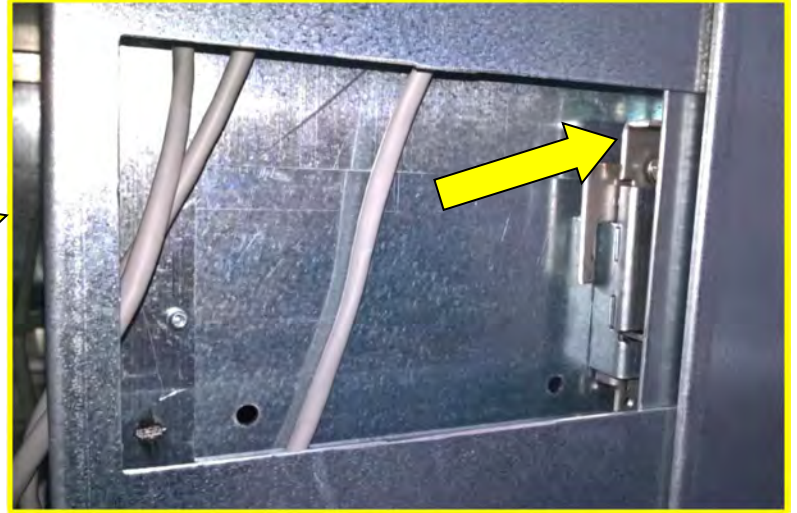
Side is screwed by two allen screws. One is placed in top door (shown above), second is in lowest door (under bottom).



Unscrew Allen screw in top door and in lower door.

Pull the side as shown above and carefully take it off.

6.1 – Open RCU door



Without side, there is access to locks. One lock slot have not drive – it is for RCU door. To open this door lift the lock (shown above) and open the door.

6.2 – Attach the Ethernet cable



It is very important to connect ethernet cables in specific sequence. Each box has specific slot for ethernet cable.



Ethernet cable for third column is attached to the side of second column.



Take loose cable from box with RCU and drag it through cable cabinet.

6.3 – Attach the Ethernet cable

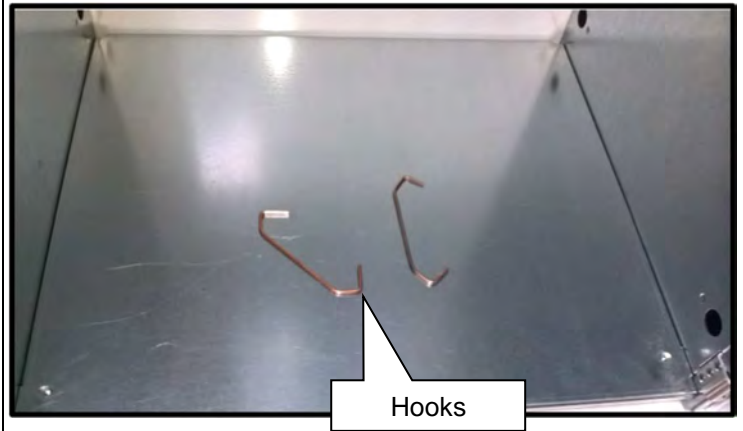
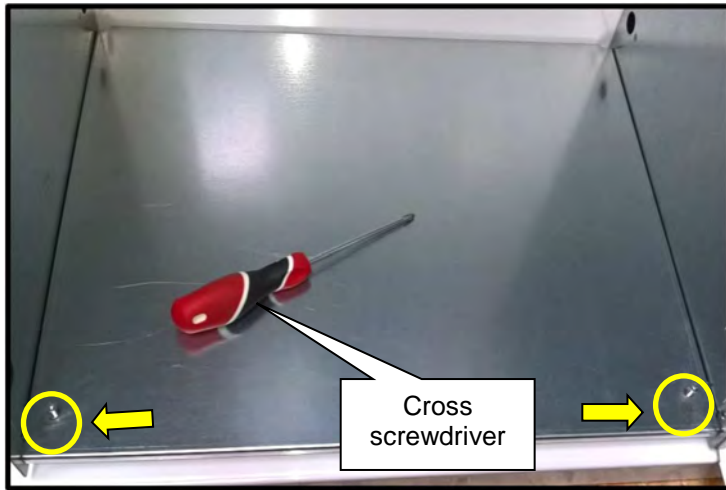


Ethernet cable to lock drive.



Slot for connection of loose ethernet cable.

7.1 – Adjust the level of the box



To adjust the level of the box, open lowest door.
Use cross screwdriver to unscrew two screws
(shown above).

Take two hooks (attached to the box).



Put hooks in holes.

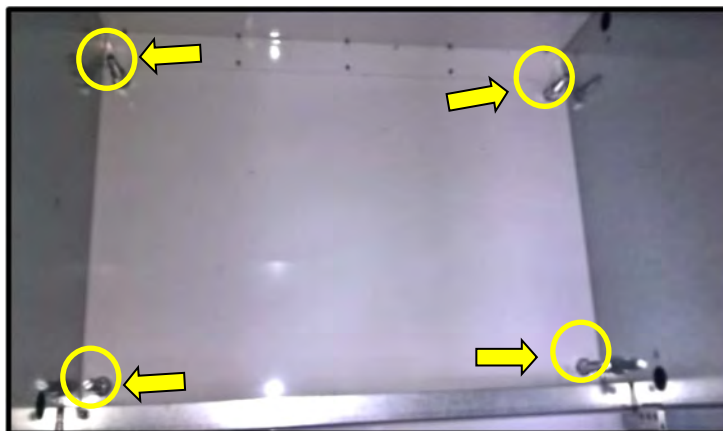


Pull the hooks and pick up the shelf

7.2 – Adjust the level of the box



Set the shelf horizontally.



There are 4 leveling screws.



Use 7mm key for hexagon head screws.

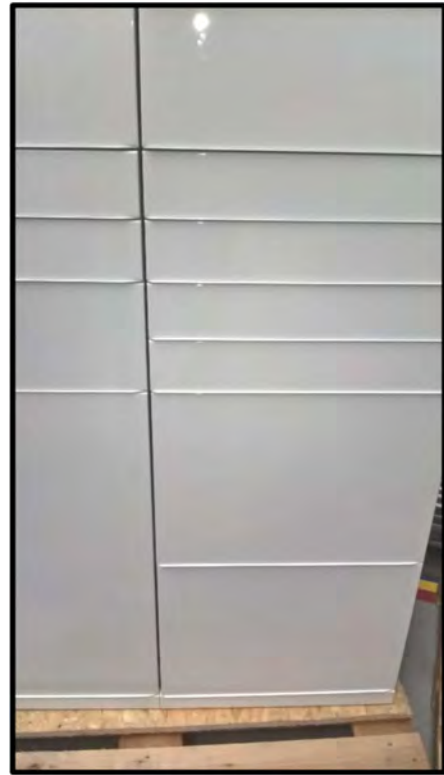


Regulate the level of the box.

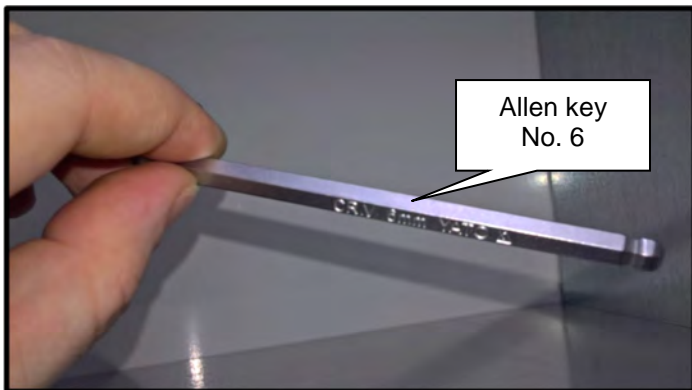
8 – Connect the columns



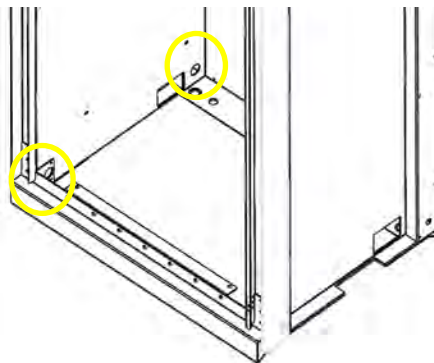
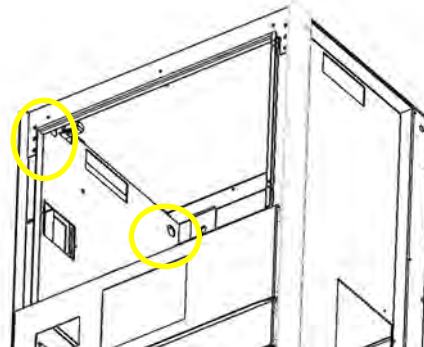
Check if ethernet cable is connected and placed in cable cabinet.



Move columns to each others.

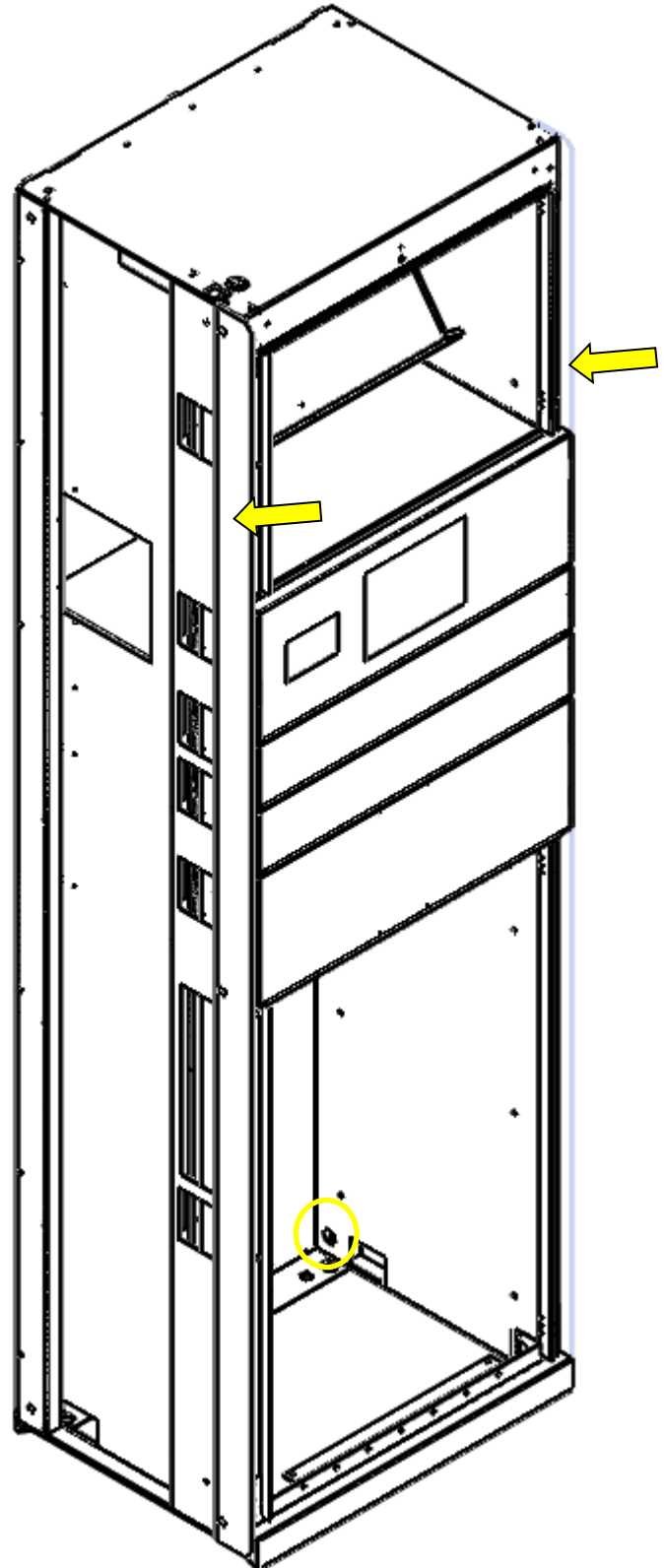
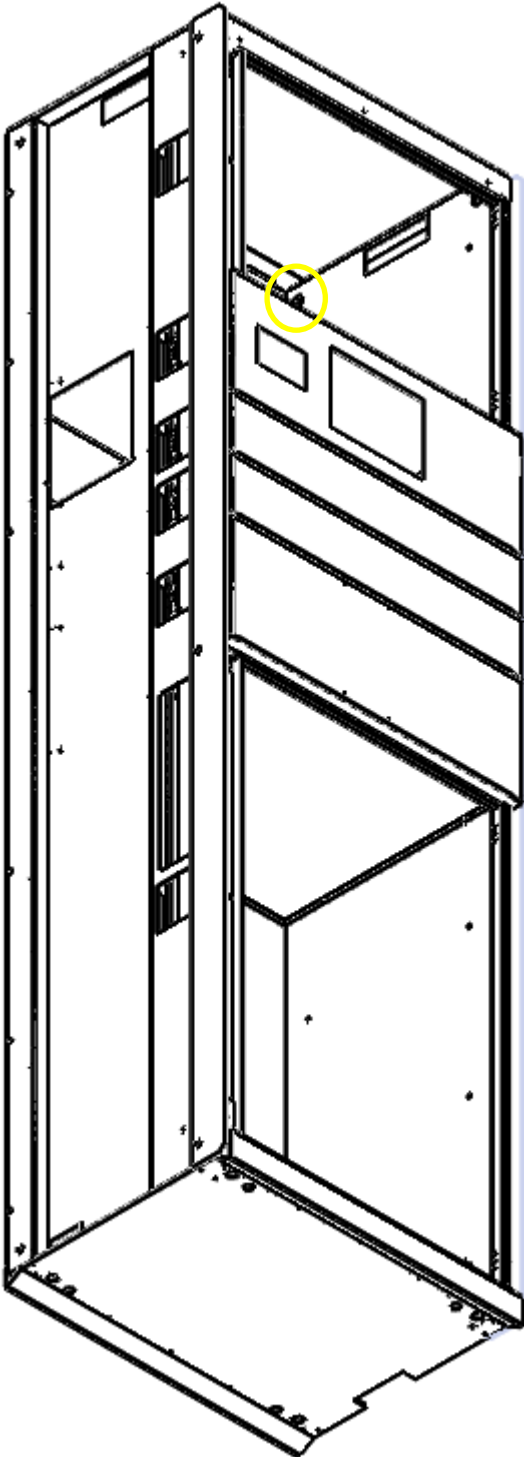


Take Allen key number 6.



Boxes are screwed by four (4) allen screws. Two are placed in top door, and two in lowest door (both shown above)

9 – Connect the side



Side i screwed by 2 screws, one in top room second in bottom room.

At the front side is slipped into side sheet. Side sheets are screwed by 2 screws similar to columns, and need to be reassembled If position of side change is necessary.

10 - Mount Bottom

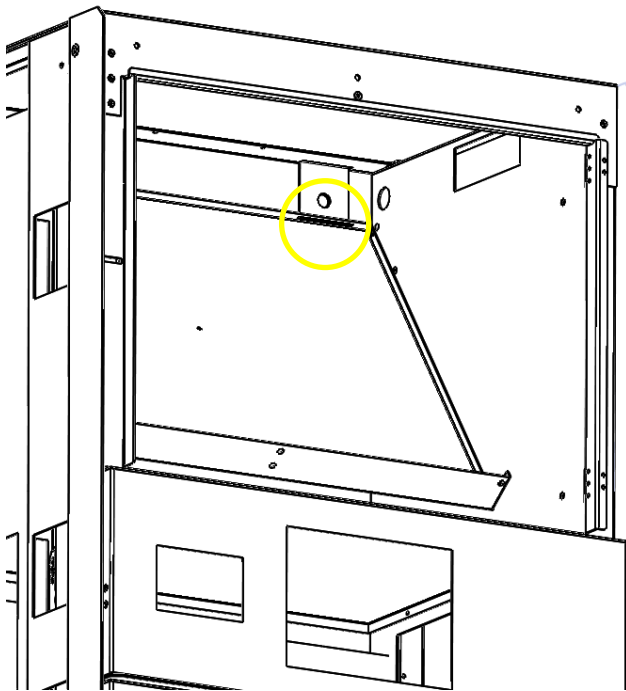


Slowly and carefully put the shelf back to it's position.

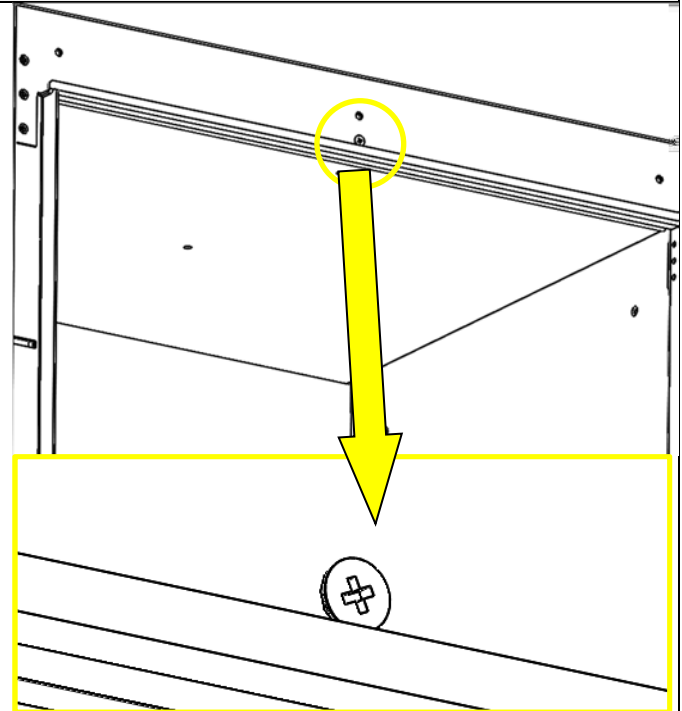


Check if it's fit and screw the screws.

11 - Mount cable canal

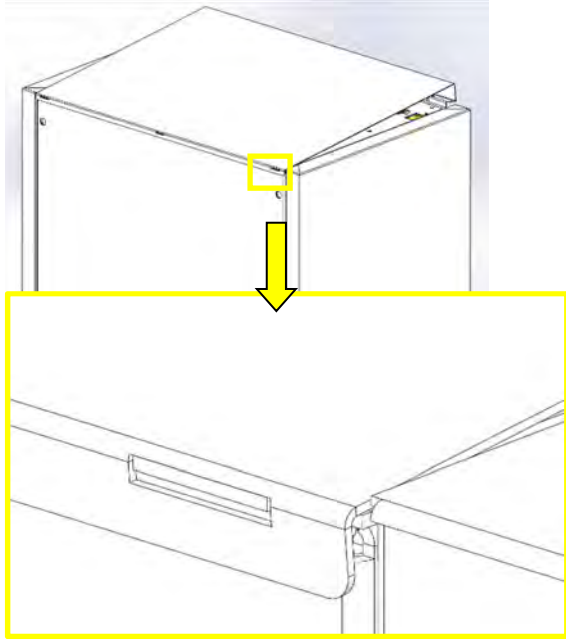


Pull cable danal up to its position. Check if it is still hooked on back.

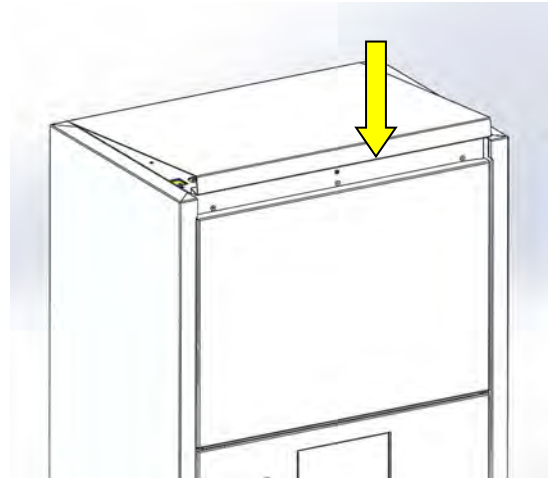


Use cross screwdriver to screw M4 screw which holds cable canal. You need to hold cable canal by hand in right position to screw it.

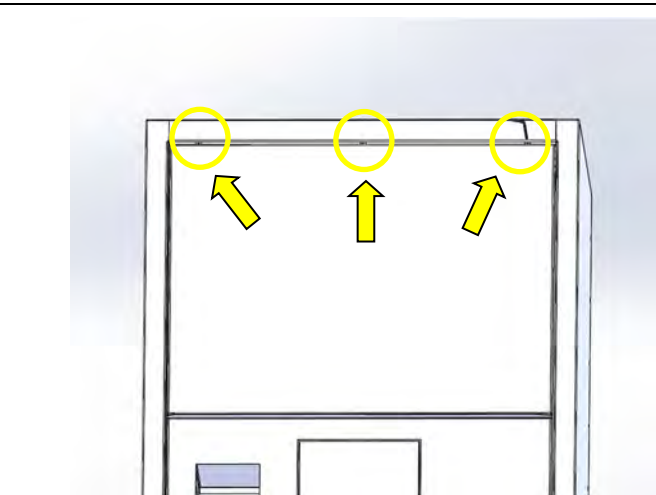
12 - Mount the roof



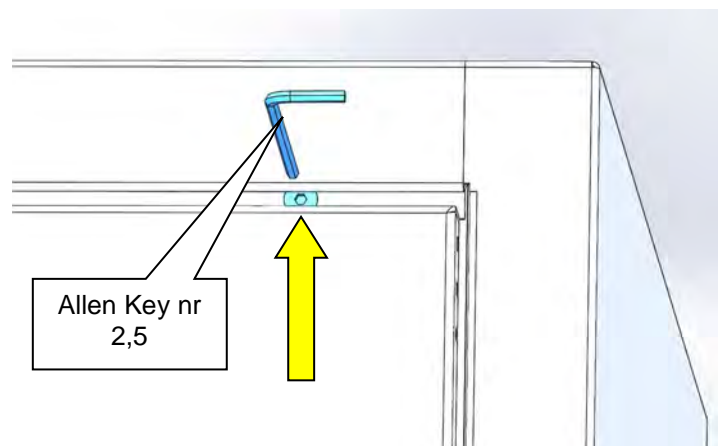
Carefully place roof on the column. Hook on the hooks.



Carefully push down to its position.



Screw 3 allen screws.



Position of the screw.